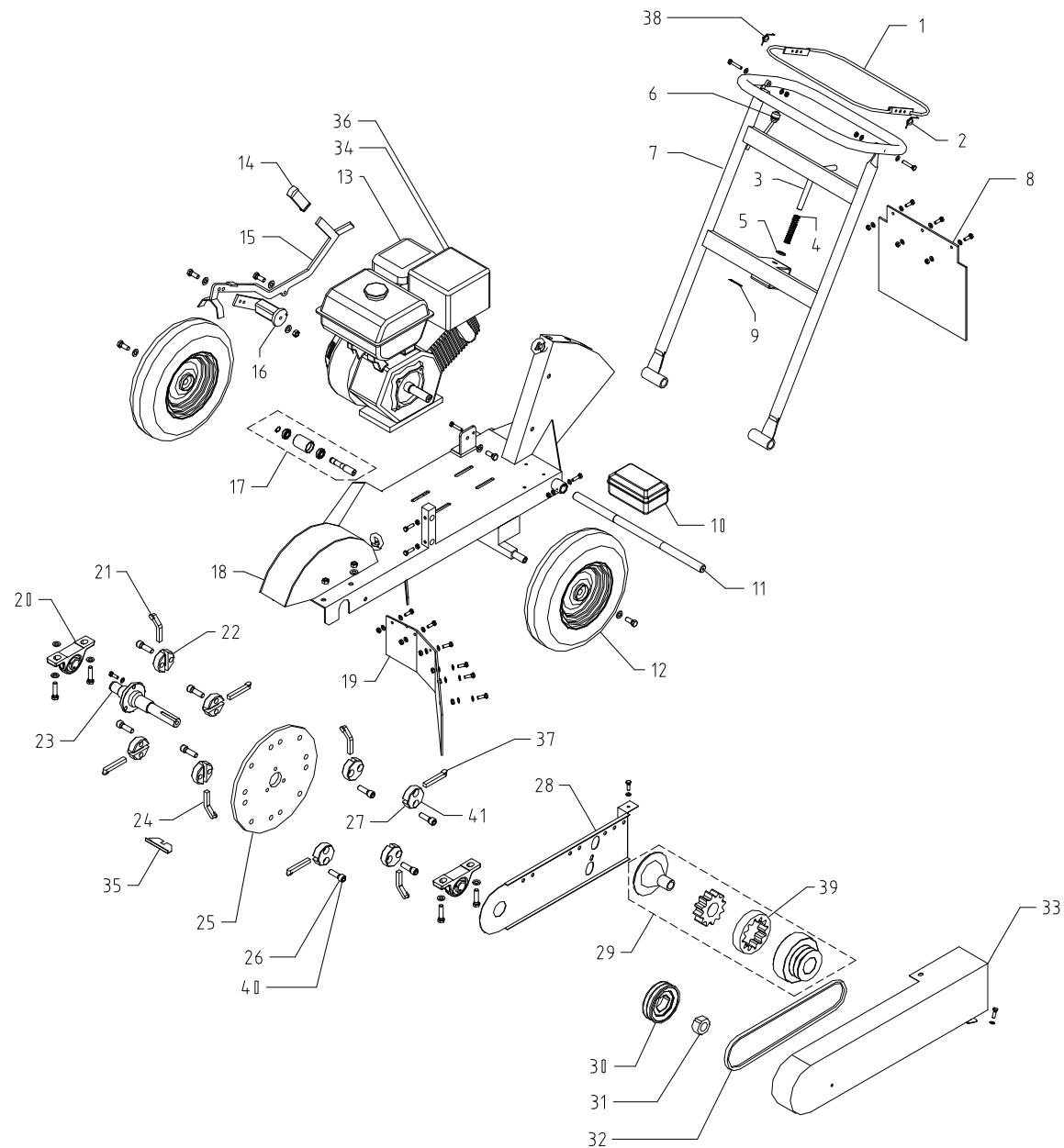


Stump Grinder PP Series



Stump Grinder PP Series



Pos.	Description	Q.ty	Code
1	Command lever	1	000001
2	Left spring	1	900001
3	Pin	1	000002
4	Spring	1	900002
5	Washer Ø16x3	1	900003
6	Safety switch	1	900004
7	Handle	1	000003
8	Rear protection rubber	1	000004
9	Split pin R 2,5	1	900005
10	Tools box	1	900006
11	Pin for handle hinge	1	000005
12	Wheel	2	900007
13	Engine 9 hp	1	900008
14	Handle 25x8	1	900009
15	Brake laver	1	000006
16	Brake lever support	1	900010
17	Idler	2	000007
18	Frame	1	000008
19	Front protection rubber	1	000009
20	Bearing UCP 206	2	900011
21	Left tool	2	900012
22	Block tool holder threaded	4	000010
23	Shaft	1	000011
24	Right tool	2	900013
25	Tools disc	1	000012
26	Tools screw	8	900014
27	Block tool holder perforated	4	000013
28	Crankcase cover	1	000014
29	Clutch 2A 138	1	900015
30	Pulley 2A 118	1	900016
31	Compass 2A 118	1	900017
32	Belt A-60	2	900018
33	Cover	1	000015
34	Engine 13 hp	1	900019
35	Plate for calibration tools	1	000016
36	Engine 12 hp	1	900020
37	Tool	4	900021
38	Right spring	1	900022
39	Rubber clutch Ø 138	1	000017

Pos.	Description	Q.ty	Code
40	Tools screw M16x1,5	8	900579
41	Block tool holder threaded M16x1,5	4	000755